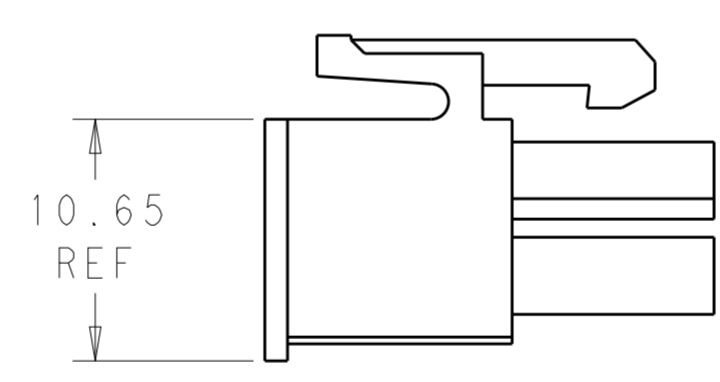
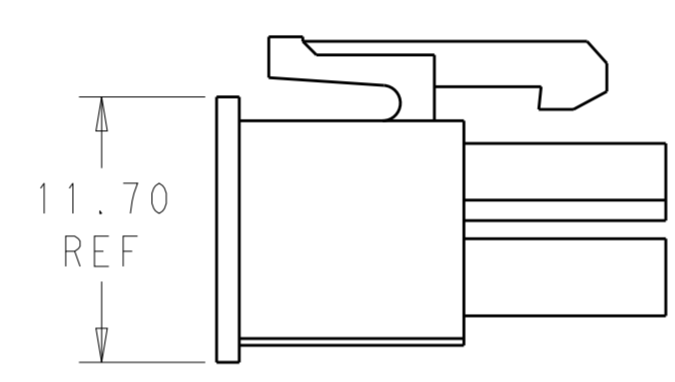
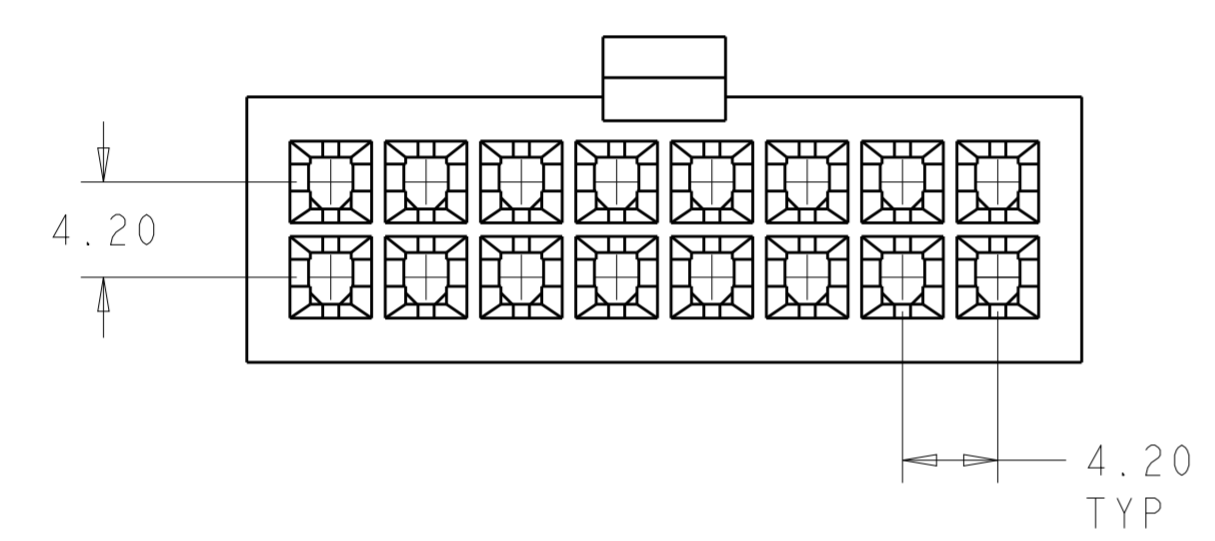
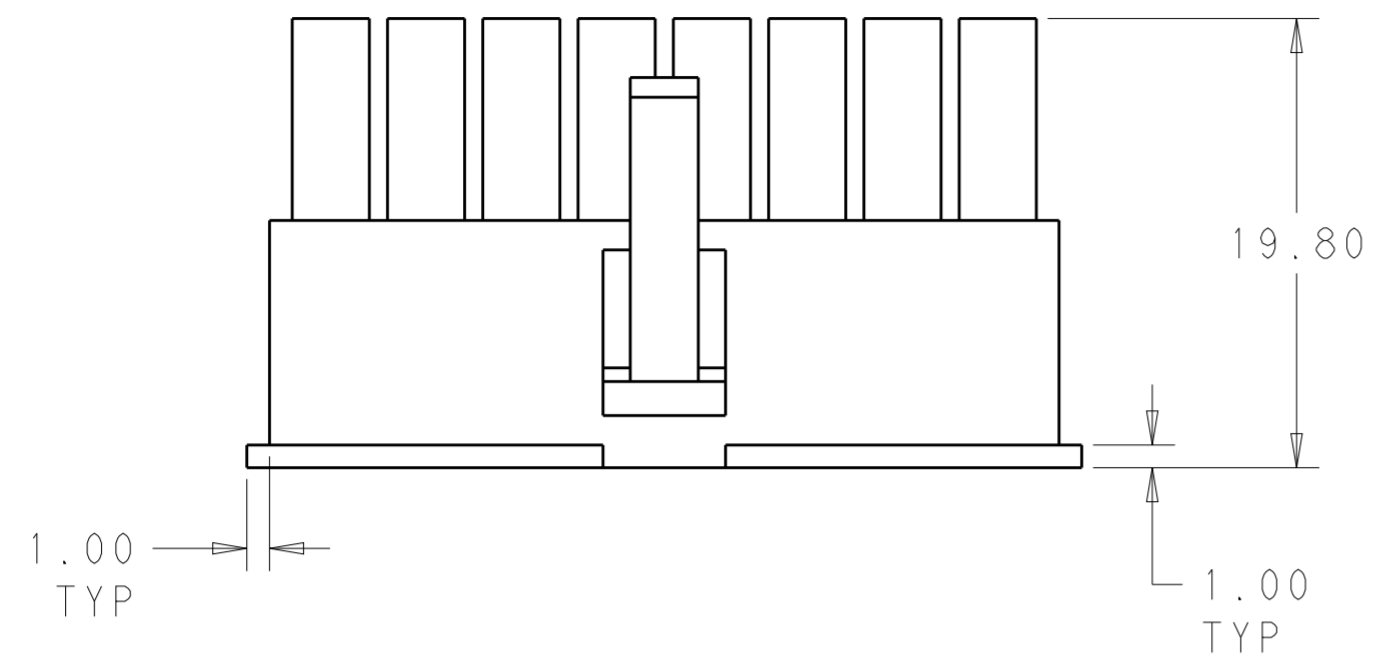
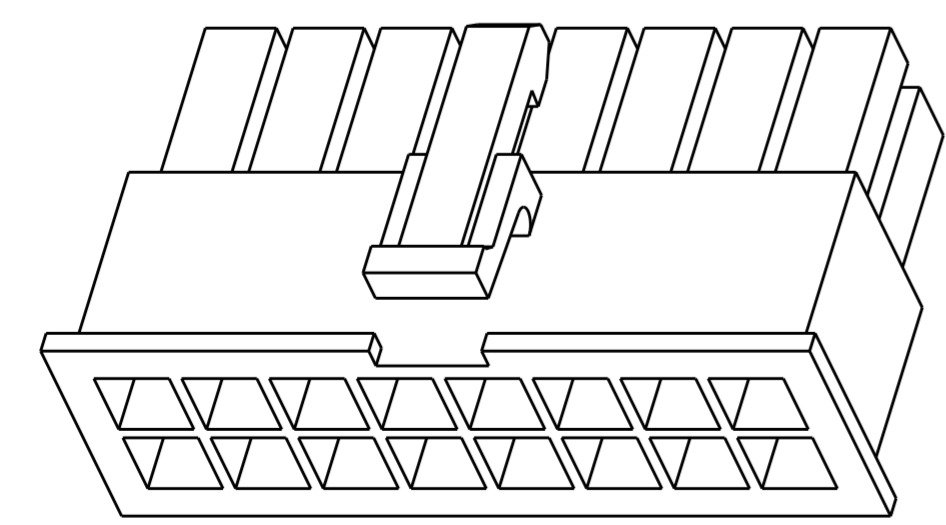
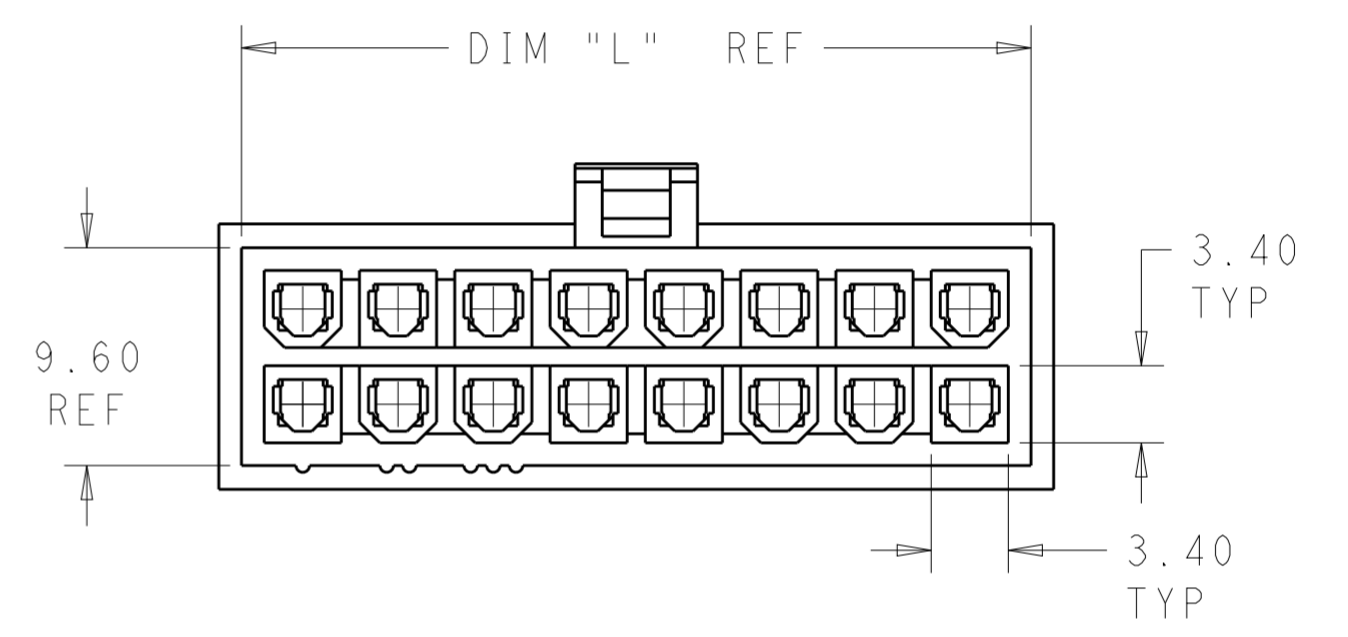


THIS DRAWING IS UNPUBLISHED. RELEASED FOR PUBLICATION 20  
 © COPYRIGHT 20 BY - ALL RIGHTS RESERVED.

REVISIONS				DATE	DWN	APVD
P	LTR	DESCRIPTION				
	A1	REVISED PER ECR-15-006926	05MAY15	JR	KR	



SCALE 3:1  
FOR -2 PART ONLY



51.60	24	2-1969614-4
47.40	22	2-1969614-2
43.20	20	2-1969614-0
39.00	18	1-1969614-8
34.80	16	1-1969614-6
30.60	14	1-1969614-4
26.40	12	1-1969614-2
22.20	10	1-1969614-0
18.00	8	1969614-8
13.80	6	1969614-6
9.60	4	1969614-4
5.40	2	1969614-2
DIM L	NO. OF POS	PART NO.

THIS DRAWING IS A CONTROLLED DOCUMENT.		DWN	JR RUTH	18JAN13	<b>STE</b> TE Connectivity
DIMENSIONS:		CHK	KURT RANDOLPH	18JAN13	
TOLERANCES UNLESS OTHERWISE SPECIFIED:		APVD	KURT RANDOLPH	18JAN13	
mm		NAME		RECEPTACLE HOUSING, VAL-U-LOK	
0 PLC ±		PRODUCT SPEC		-	
1 PLC ±		APPLICATION SPEC		-	
2 PLC ±0.25		WEIGHT		-	
3 PLC ±		SIZE		A200779	
4 PLC ±		CAGE CODE		C-1969614	
ANGLES ±		DRAWING NO		-	
FINISH		RESTRICTED TO		-	
MATERIAL		SCALE		3:1	
NYLON 6/6, V0		SHEET		1 OF 1	
COLOR-NATURAL		REV		A1	
Customer Drawing					